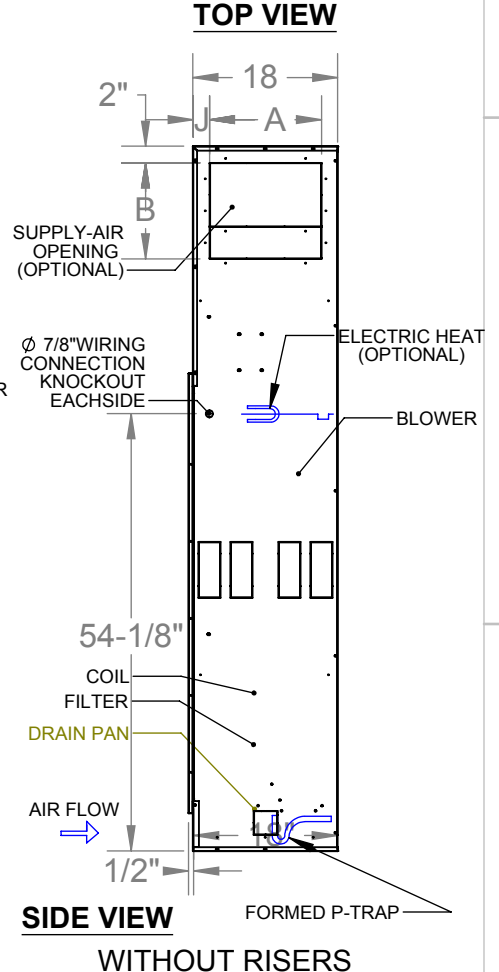
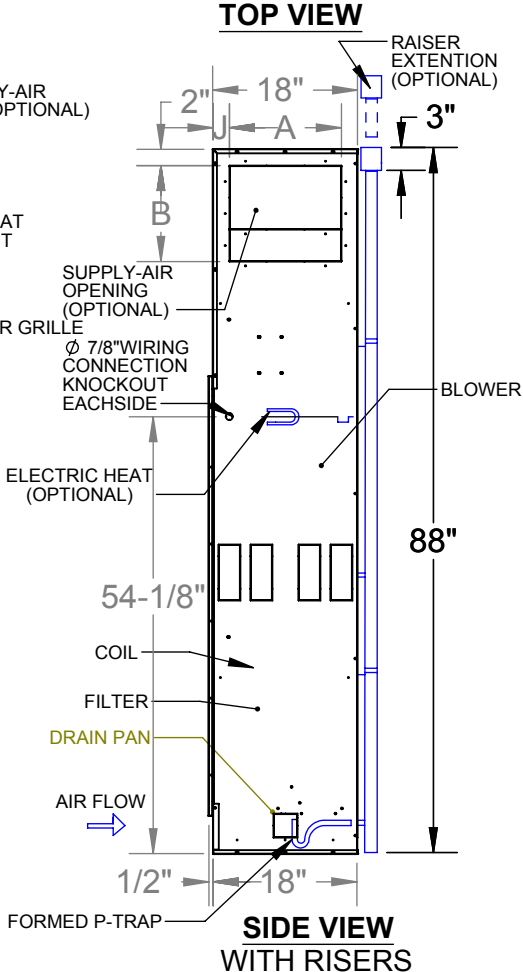
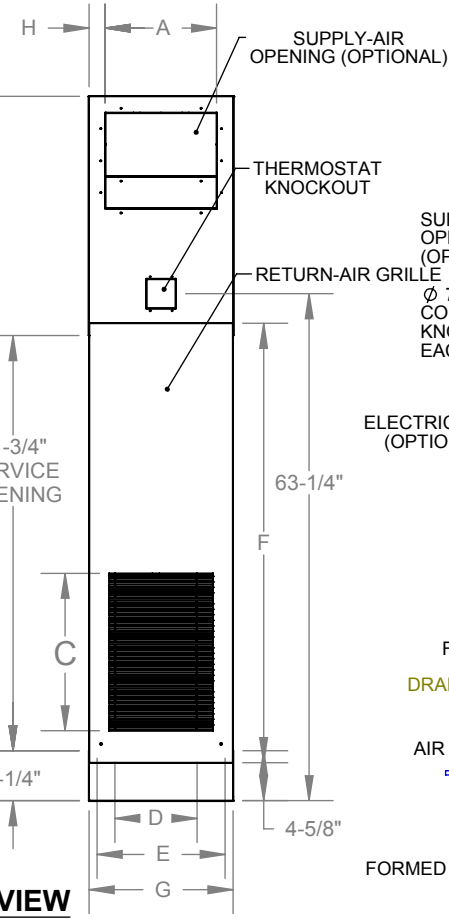
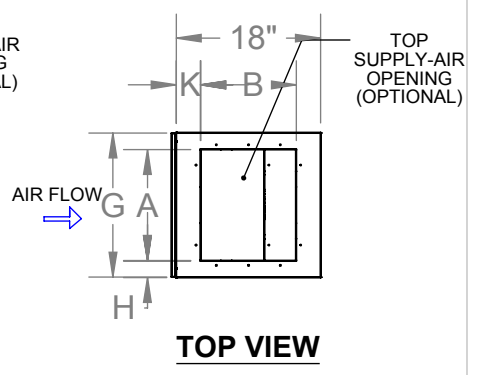
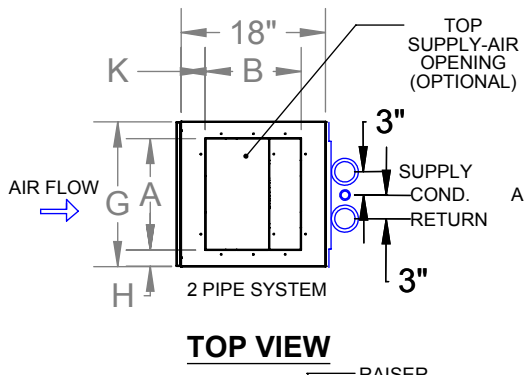
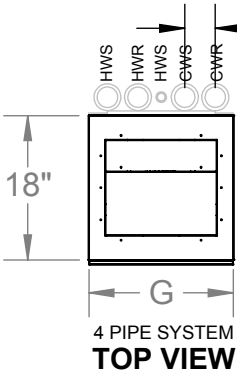


Drawing is for standard fan coil configuration only. When valve packages or drain pan extensions are added consult fancoils@wfc-fc.com for an "as built" drawing.



MODEL	DISCHARGE OPENING		RETURN-AIR GRILLE		ACCESS PANNEL		G	H	J	K	FILTER
	A	B	C	D	E	F					SIZE
300	14	12	19-1/2	13	17	55	18	2	2	2	14X25X1
400	14	12	19-1/2	13	17	55	18	2	2	2	14X25X1
600	14	12	19-1/2	13	17	55	18	2	2	2	14X25X1
800	16	14	20-1/2	15	23	55	24	4	1	4	20X25X1
1000	16	14	20-1/2	15	23	55	24	4	1	4	20X25X1
1200	16	14	20-1/2	15	23	55	24	4	1	4	20X25X1

PROPRIETARY AND CONFIDENTIAL
 THE INFORMATION CONTAINED IN THIS DOCUMENT IS THE SOLE PROPERTY OF WILLIAMS FURNACE COMPANY. ANY REPRODUCTION IN PART OR AS A WHOLE WITHOUT THE WRITTEN PERMISSION OF WILLIAMS FURNACE COMPANY IS PROHIBITED.

MATERIAL - (-)
FINISH -
 DO NOT SCALE DRAWING

RIGHT HAND UNIT SHOWN
TITLE: VERTICAL STACK - HIGH RISE-ER
 300-1200 CFM
DWG. NO. D107591
REV A
SCALE: 1:24
SHEET 1 OF 1